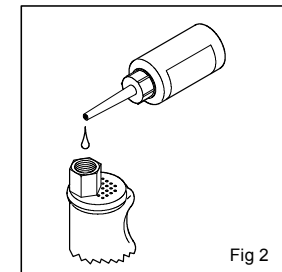
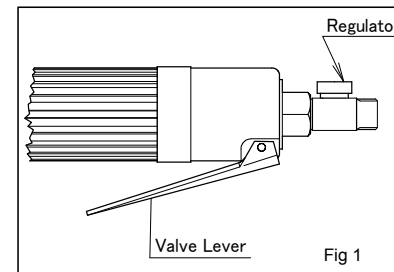
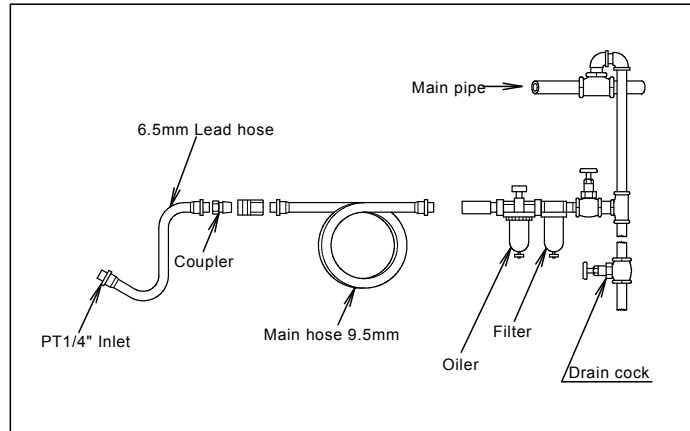


Notice

1. Don't throw or strongly shock the tool.
2. Don't absolutely rotate under no-load running.
3. Daily before or after operating the tool, lubricate into air hose inlet to protect air motor.
4. After operating, carry out drainage from compressor tank and pipings.
5. Set up the pipe (described below)
6. Operating air pressure must be set within 0.5-0.6MPa.

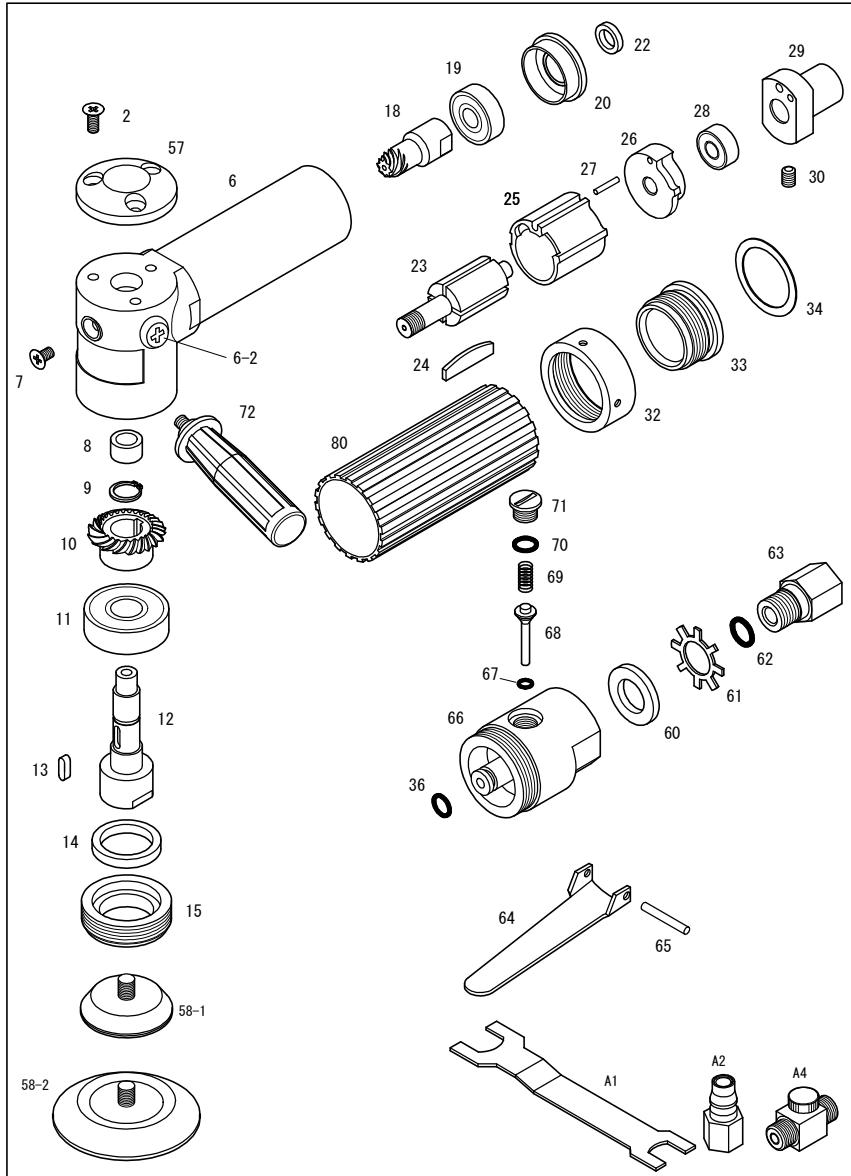
450P-L

MINI ANGLE POLISHER



- Start and stop
By handling a lever softly, the valve is opened and with a release it, motor will be stopped.
- Turning adjustment
This tool can be freely changed from low speed to meet different jobs.
Regulator is full open which must be adjusted by turning to left side within 90 degrees.(Fig.1)
- Lubrication
Daily before or after operating the tool, lubricate into air hose inlet to protect air motor.(Fig. 2)

450P-L EXPLODED VIEW



PARTS LIST

PARTS NO.	CODE	ITEM	QTY.	NOTE
2	130410	Screw (M4X10)	3	
6	22001	Body	1	
6-2	150506	Screw (M5X6)	2	
7	130406	Screw (M4X6)	1	
8	22035	8X7 Oilless Bearing	1	
9	S10	Snap Ring (S-10)	1	
10	22005	Gear	1	
11	6201ZZ	Ball Bearing (6201ZZ)	1	
12	220102	Spindle	1	
13	520310	Key (3X3X10)	1	
14	VC20264	Oil Seal	1	
15	22011	M34 Nut (Left hand)	1	
18	22004	Pinion	1	
19	608ZZ	Ball Bearing (608ZZ)	1	
20	22019	F-Bearing Case	1	
22	22020	Rotor Spacer	1	
23	22015	Rotor	1	
24	22016	Vane	4	
25	220171	Cylinder	1	
26	220181	R-Bearing Case	1	
27	412515	Spring Pin (φ 2.5X15)	1	
28	R4ZZ	Ball Bearing (R4ZZ)	1	
29	22006	Intake Manifold	1	
30	170506	Set Screw (M5X6)	1	
32	22008	φ 37 Nut	1	
33	22007	Motor Clamper	1	
34	22021	φ 32 Gasket	1	
36	KS05	O-Ring (KS-5)	1	
57	22051	Top Cover	1	
58-1	220241A	φ 45 MP Pad	1	
58-2	22055A	φ 72 MP Pad	1	
60	22052	Silencer	1	
61	22053	Liner	1	
62	P09	O-Ring (P-9)	1	
63	22054	Silencer Adapter	1	
64	60304	Valve Lever	1	
65	410324	Spring Pin (φ 3X24)	1	
66	220601A	Valve Case	1	
68	28811A	Valve	1set	
67	KS02	O-Ring (KS-2)	(1)	
69	25814	Valve Spring	1	
70	KS06	O-Ring (KS-6)	1	
71	25812	Valve Cap	1	
72	217142A	Knob Assy.	1set	
73	22064	Wool Disc (5X50)	1	
75	22066	Urethane Buff (20X50) Yellow	1	
76	220671	Urethane Buff (20X80) Yellow	1	
77	22065	Wool Disc (5X80)	1	
80	220092	Body Cover (BLUE)	1	
A1	288292	Spanner (17-22)	1	
A2	J0014	Coupler (Female)	1	
A4	J00020	Regulator	1	

(Specifications may be changed without notice.)